

# BARANAGAR MUNICIPALITY

87,DESHBANDHU ROAD EAST

KOLKATA-700087

NTQ :- 63/HMST/14-15

DT: 17.1.15

Sealed Quotation are invited within 21<sup>st</sup>. January 2015 by 3.00 P.M. at Chairman's within Central Municipal campus for " SINGLE UNIT " from the bonafide, resourceful, experienced agency with valid credentials and updated supporting documents in question of credentials for " Supply, Fabrication, Erection, Installation and Commissioning of high mast lights " under BEUP work Necessary specifications and drawings are as follows :

BARANAGAR MUNICIPALITY 87,DESHBANDHU ROAD EAST KOLKATA-700087 SUPPLY & INSTALLATION OF HIGH MAST LIGHTING SYSTEM					
SL.NO.	DESCRIPTION OF EQUIPMENT/ACTIVITIES	QTY	RATE	UNIT	AMOUNT
1	Supplying of high Mast system suitable to withstand wind velocity as per IS :875 constructed of must shaft made of 3/2 numbers of hot dip Galvanized high tensile steel sections incl. head frame, 2point continuous 6 mm dia (7/19)steel wire rope, trailing cable , double drum winch, Galvanized Lantern carriage symmetrical arrangement appropriate for 16luminaries ,control gear box and lighting finial ,provided with an integral power tool (motorized cum manual winch) installed inside the base compartment of the mast for operation as below: a)16m high mast(2 sections)	1			
2	Supply of non integral 400w sodium vapour floodlight luminaire (BCENF 22R) with two nos 400w SVT lamps,control gear and others accessories.	8Nos			
3)	Supply of control panel housing with 63A TPN MCB Incomer single dial timer contractor circuit for automatic control of luminaries , outgoing terminal And control circuit for the power tool motor.	1nos			
4)	Supply of (BAJAJ /PHILIPSmake ) single dome aviation obstruction lights (BJAOL1) with one no neon spiral lamp.	1nos			
5)	Supply of foundation bolts manufactured from special steel along with nuts,washers ,anchors ,plates and templates.  a) 16m high mast(2 sections)	1			
6)	Casting of suitable RCC foundation with M20 grade concrete des <sup>8</sup> ign for SBC of soil as 10T/sqm  a) 16m high mast(2 sections)	1			

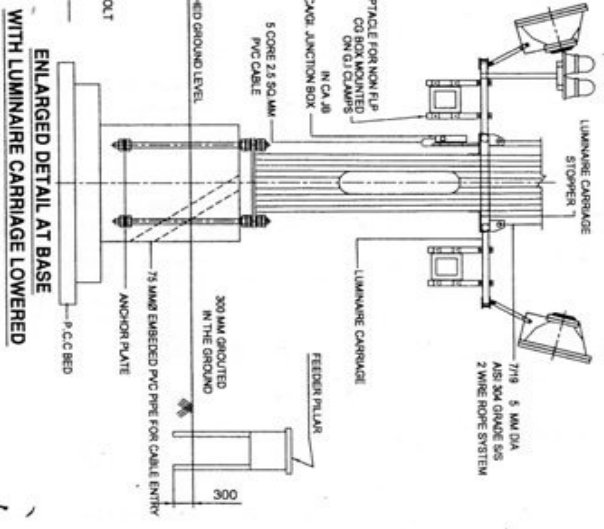
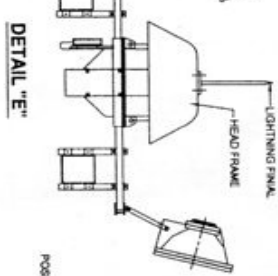
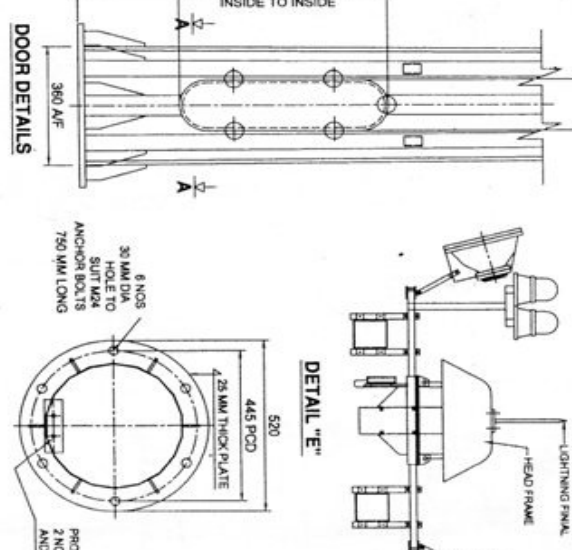
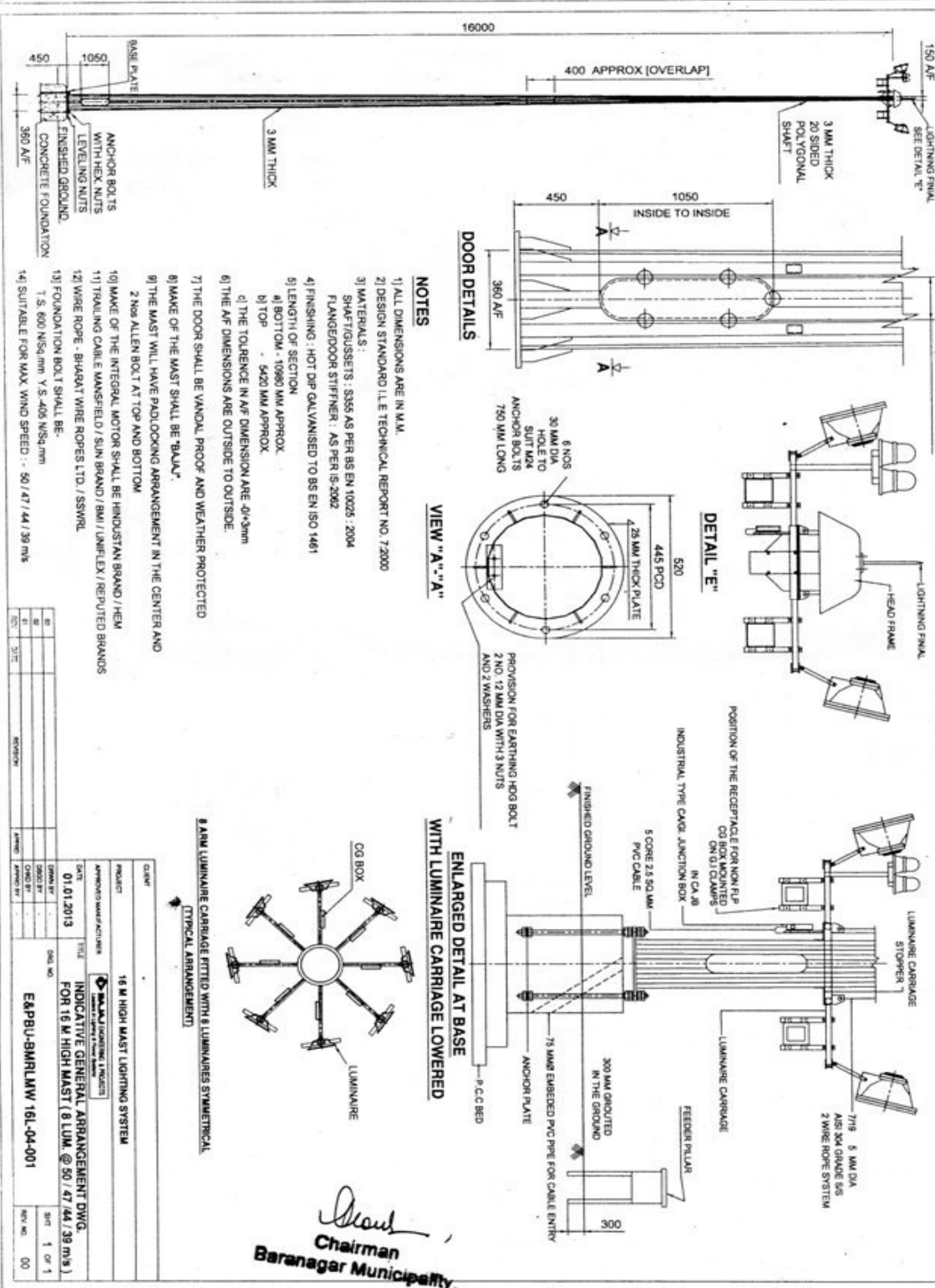
7)	Erection of 16/20/25 mtr High mast with high precision involving all above items.	1nos			
8.	Earthing with 80mm dia GI pipe (TATA Medium )x3.00 mtrs long & 3x19x6 standered G.I (Hot dip) wire (4mtrs long) 25mm dia x 150mm long galvanized bolt ,double nuts , double washers incl. socketing at bothends of standered GI (Hot dip) wire as per c.s	2nos			

Drawings are attached with this notice. Quotation may be cancelled at any time without showing any reason whatsoever..

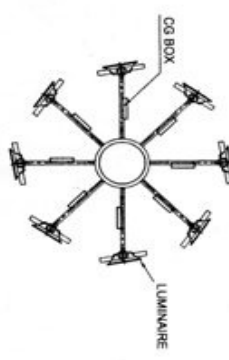
*Devi*  
15/11/15  
Chairman  
Baranagar Municipality

*[Signature]*  
15/11/15  
Assistant Engineer  
P.W. Department  
Baranagar Municipality

UNLESS OTHERWISE MENTIONED TOLERANCES ARE AS PER IS:2100 225 (INSIDE TO INSIDE) ALL DIMENSIONS ARE IN M.M UNLESS OTHERWISE MENTIONED



- NOTES**
- 1) ALL DIMENSIONS ARE IN M.M.
  - 2) DESIGN STANDARD I.L.E TECHNICAL REPORT NO. 7/2000
  - 3) MATERIALS:  
SHAFT/GUSSETS: S355 AS PER BS EN 10025: 2004  
FLANGED DOOR STIFFENER: AS PER IS:2002
  - 4) FINISHING: HOT DIP GALVANISED TO BS EN ISO 1461
  - 5) LENGTH OF SECTION:  
a) BOTTOM - 10980 MM APPROX  
b) TOP - 6420 MM APPROX
  - 6) THE TOLERANCE IN AF DIMENSION ARE 0+/-3mm  
c) THE TOLERANCE IN AF DIMENSION ARE OUTSIDE TO OUTSIDE
  - 7) THE DOOR SHALL BE VANDAL PROOF AND WEATHER PROTECTED
  - 8) MAKE OF THE MAST SHALL BE "BALUN"
  - 9) THE MAST WILL HAVE PADLOCKING ARRANGEMENT IN THE CENTER AND 2 Nos ALLEN BOLT AT TOP AND BOTTOM
  - 10) MAKE OF THE INTEGRAL MOTOR SHALL BE HINDUSTAN BRAND / HEM
  - 11) TRAILING CABLE WANSFIELD / SUN BRAND / BM / LUMIFLEX / REPUTED BRANDS
  - 12) WIRE ROPE - BHARAT WIRE ROPES LTD. / SSWRL
  - 13) FOUNDATION BOLT SHALL BE:  
T S. 600 N5/4 mm Y S. 406 N5/4 mm
  - 14) SUITABLE FOR MAX WIND SPEED: 50 / 47 / 44 / 39 m/s



*Chairman*  
Chairman  
Baranagar Municipality

Assistant Engineer  
P.W. Department  
Baranagar Municipality

CLIENT	PROJECT	DATE	SCALE	REV. NO.	REV. BY	REV. DATE
	16 M HIGH MAST LIGHTING SYSTEM	01.01.2013	INDICATIVE GENERAL ARRANGEMENT DWG. FOR 16 M HIGH MAST ( 8 LUM @ 50 / 47 / 44 / 39 m/s )	01		
				02		
				03		
				04		
				05		
				06		
				07		
				08		
				09		
				10		
				11		
				12		
				13		
				14		
				15		
				16		
				17		
				18		
				19		
				20		
				21		
				22		
				23		
				24		
				25		
				26		
				27		
				28		
				29		
				30		
				31		
				32		
				33		
				34		
				35		
				36		
				37		
				38		
				39		
				40		
				41		
				42		
				43		
				44		
				45		
				46		
				47		
				48		
				49		
				50		
				51		
				52		
				53		
				54		
				55		
				56		
				57		
				58		
				59		
				60		
				61		
				62		
				63		
				64		
				65		
				66		
				67		
				68		
				69		
				70		
				71		
				72		
				73		
				74		
				75		
				76		
				77		
				78		
				79		
				80		
				81		
				82		
				83		
				84		
				85		
				86		
				87		
				88		
				89		
				90		
				91		
				92		
				93		
				94		
				95		
				96		
				97		
				98		
				99		
				100		

**BEFORE CASTING THE FOUNDATION VERIFY THE DIMENSIONS OF THE FOUNDATION BOLT (DIA. & QTY.) AND ANCHOR PLATE (PCD) WITH RESPECT TO THE DIMENSIONS MENTIONED IN THIS DRG.**

**DETAIL OF PEDESTAL**

Bolt Nos.	=	6
Bolt Dia.	=	24 mm
Length	=	750 mm

**FOUNDATION LOADINGS**

WIND SPEED (M/SEC)	50
BENDING MOMENT (T-M)	6.209
HORIZONTAL SHEAR (T)	0.813
VERTICAL LOAD (T)	0.769
MAX GR BEARING PRESSURE (T/M <sup>2</sup> )	5.119
SAFETY FACTOR AGAINST OVERTURNING	2.449
CONCRETE MIX VIBRATED	M-20
MIN COVER (MM)	50
STEEL	Fe-415
GROSS SBC (T/M <sup>2</sup> )	10.00
PROJECTED AREA (M <sup>2</sup> )	0.970

**SECTIONAL ELEVATION**

Anchor Pl. Thk.(mm)	=	8 mm
PCD (mm)	=	445 mm
Nos.of hole/Dia.(mm)	=	6 / 26

**SECTIONAL PLAN**

**BAR BENDING SCHEDULE**

MK	QTY	SIZE	LENGTH	SHAPE
T1	20	Φ12	1995	1575 100 320
T2	24	Φ10	2800	2600 100 800
T3	9	Φ8	3392	800 800
T4	24	Φ10	2800	2600 100

**QUANTITIES**

RCC (M <sup>3</sup> )	PCC (M <sup>3</sup> )	STEEL (kg)
3.32	0.84	137.015

**NOTES**

- ALL DIMENSIONS ARE IN MM. DO NOT SCALE THE DRAWING
- MIN. LAP LENGTH OF BARS SHALL BE 50xD. UNLESS OTHERWISE STATED.
- WE RECOMMENDED THAT MAST FLANGE REMAIN UNGROUTED
- IF GROUTING IS CARRIED OUT IT IS ESSENTIAL TO LEAVE A MINIMUM OF 4 NOS 25MM DIA DUCTS EQUALLY SPACED AROUND THE FLANGE TO ALLOW DRAINAGE AND VENTILATION
- BARS DRAWN IN THE DRAWING ARE FOR ILLUSTRATION ONLY. REFER TO THE NUMBERS SHOWN FOR ACTUAL REINFORCEMENT QUANTITY.

This drawing is the property of "BAJAJ ELECTRICALS LTD." & must be returned on request. It is submitted as confidential information in connection with enquiry, tender, orders or contracts. It is not to be used for any other purpose or order nor may it be copied or lent without our authority in writing.

REV	DESCRIPTION	DATE

DATE: 6/6/13	TITLE: General Arrangement Foundation Drawing for 16m High Mast	<p><b>Bajaj Electricals Limited</b></p>	Sheet No. 01 of 01	Rev. 0	
DRN BY: AUTO	PROJECT: M/s-		<p><b>DRAWING NUMBER: - BMRLMW16L</b></p>		
CHKD BY: SNS					
APPRD BY: CSM					
SCALE: NTS					

*Chairman*  
Baranagar Municipality

Assistant Engineer  
P.W. Department  
Baranagar Municipality